

# *Hamilcar Co., Ltd.*

## **2 Doors Reach-In Refrigerator**


<b>PROJECT :</b>		<b>APPROVE</b>
<b>DESIGNED BY</b>	<b>DATE</b>	<b>DWG NO.</b>
<b>DRAWN BY</b>	<b>SCALE</b>	<b>QTY</b>



### **GENERAL SPECIFICATION**

<b>Model</b>	NFR670/HD/DC
<b>Dimension</b>	<b>67 x 75 x 205 cm</b>
<b>Capacity</b>	548 lit.
<b>No. of shelves</b>	4 Pcs.
<b>Working temp</b>	<b>+ 1°C</b>
<b>BTU/Hr</b>	2798
<b>Compressor</b>	330 W
<b>Refrigerant</b>	HFC-134a
<b>Power supply</b>	220V 50Hz 1Ph
<b>Amp.</b>	2.8A
<b>Watt.</b>	616W
<b>Refrigeration</b>	Finned tube fan assisted force air circulation system.
<b>Instrument.</b>	Analog thermometer with thermostat (Standard)
<b>Defrosting</b>	
NFR670/HD/AN	Timed control off cycle defrosting system.
NFC670/HD/AN	Timed control Hot gas defrosting system.
NFF670/HD/AN	Timed control heater defrosting system.

### **STANDARD FEATURE**

- The cabinet is constructed with stainless steel SUS 304 & 430 HL finish finished 2B for interior  
Internal coved corner for ease of cleaning
- Insulation by using injected NON-CFC high-density polyurethane foam insulation to reduce heat transfer and greater refrigeration performance and power effectiveness.
- Stainless steel solid doors are equipped with special design heavy-duty self-closing hinge and full-length door handle for easy operation. Doors seal are installed with magnetic door gasket for positive door seal.
- Door frame is installed with anti sweat electric heater to prevent dew condensation.
- Heavy duty P.E. coated wire shelves
- International quality approved (  approved.) components to ensure safety requirement.

# *Hamilcar Co., Ltd.*

## **2 DOORS UPRIGHT FREEZER**

<b>PROJECT</b>		<b>APPROVE</b>
<b>DESIGNED BY</b>	<b>DATE</b>	<b>DWG NO.</b>
<b>DRAWN BY</b>	<b>SCALE</b>	<b>QTY</b>

### **GENERAL SPECIFICATION**



Model	
Dimension	67 x 75 x 205
Capacity	548 lit.
Working temp	-18°C
Extraction rate	2000 BTU/HR
Compressor	600 W
Refrigerant	R22
Power supply	220V 50Hz 1Ph
Amp.	4.2 A
Watt.	924 W
Refrigeration system	Finned tube fan assisted force air circulation system.
Defrosting	Timed control electric heater defrost.

### **STANDARD FEATURES**

- Body constructed with stainless steel SUS 304 (interior & exterior) finish HL.
- Insulation by using injected high-density polyurethane foam insulation to reduce heat transfer and greater refrigeration performance and power effectiveness.
- Stainless steel solid doors are equipped with special design heavy-duty self-closing hinge and full-length door handle for easy operation.
- Doors seal are installed with magnetic door gasket for positive door seal.
- 4 heavy-duty stainless adjustable legs to take account of uneven floor level.
- Doorframe is installed with anti sweat electric heater to prevent dew condensation.
- Heavy-duty shelf pilasters are adjustable. No tool requires to adjust.
- 4 heavy duty P.E. coated wire shelves.

# *Hamilcar Co., Ltd.*

## **2 Doors Reach-In Refrigerator**


<b>PROJECT :</b>		<b>APPROVE</b>
<b>DESIGNED BY</b>	<b>DATE</b>	<b>DWG NO.</b>
<b>DRAWN BY</b>	<b>SCALE</b>	<b>QTY</b>



### **GENERAL SPECIFICATION**

<b>Model</b>	NFR670/HD/DC
<b>Dimension</b>	<b>67 x 75 x 205 cm</b>
<b>Capacity</b>	548 lit.
<b>No. of shelves</b>	4 Pcs.
<b>Working temp</b>	<b>+ 1°C</b>
<b>BTU/Hr</b>	2798
<b>Compressor</b>	330 W
<b>Refrigerant</b>	HFC-134a
<b>Power supply</b>	220V 50Hz 1Ph
<b>Amp.</b>	2.8A
<b>Watt.</b>	616W
<b>Refrigeration</b>	Finned tube fan assisted force air circulation system.
<b>Instrument.</b>	Analog thermometer with thermostat (Standard)
<b>Defrosting</b>	
NFR670/HD/AN	Timed control off cycle defrosting system.
NFC670/HD/AN	Timed control Hot gas defrosting system.
NFF670/HD/AN	Timed control heater defrosting system.

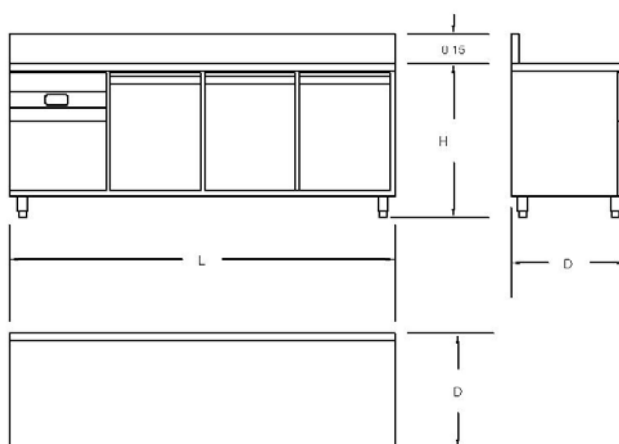
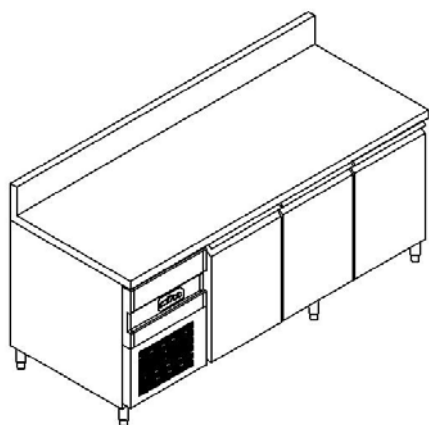
### **STANDARD FEATURE**

- The cabinet is constructed with stainless steel SUS 304 & 430 HL finish finished 2B for interior Internal coved corner for ease of cleaning
- Insulation by using injected NON-CFC high-density polyurethane foam insulation to reduce heat transfer and greater refrigeration performance and power effectiveness.
- Stainless steel solid doors are equipped with special design heavy-duty self-closing hinge and full-length door handle for easy operation. Doors seal are installed with magnetic door gasket for positive door seal.
- Door frame is installed with anti sweat electric heater to prevent dew condensation.
- Heavy duty P.E. coated wire shelves
- International quality approved (  approved.) components to ensure safety requirement.

# Hamilcar Co., Ltd.

## 3 DOORS UNDERCOUNTER CHILLER W/ SPLASH BACK

PROJECT		APPROVE
DESIGNED BY	DATE	DWG NO.
DRAWN BY	SCALE	QTY



### STANDARD FEATURES

- Body constructed with stainless steel SUS 304 (interior & exterior) finish HL.
- Insulation by using injected high-density polyurethane foam insulation to reduce heat transfer and greater refrigeration performance and power effectiveness.
- Stainless steel solid doors are equipped with special design heavy-duty self-closing hinge and full-length door handle for easy operation.
- Doors seal are installed with magnetic door gasket for positive door seal.
- 4 heavy-duty stainless adjustable legs to take account of uneven floor level.
- Doorframe is installed with anti sweat electric heater to prevent dew condensation.
- Heavy-duty shelf pilasters are adjustable. No tool requires to adjust.
- 6 heavy duty P.E. coated wire shelves
- **CE** approved components

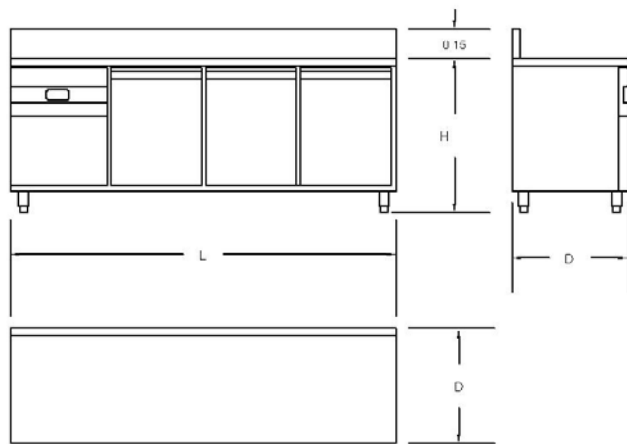
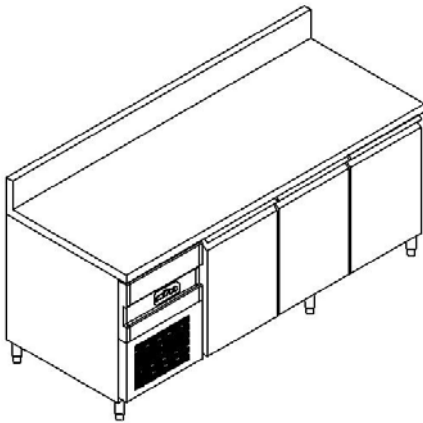
### GENERAL SPECIFICATION

<b>Model</b>	
<b>Dimension</b>	<b>180 x 75 x (85 + 15)</b>
<b>Capacity</b>	552 lit.
<b>No. of shelves</b>	6
<b>Working temp</b>	<b>+1°C</b>
<b>BTU/Hr</b>	2798
<b>Compressor</b>	330 W
<b>Refrigerant</b>	R22
<b>Power supply</b>	220V 50Hz 1Ph
<b>Amp.</b>	3.3 A
<b>Watt.</b>	660 W
<b>Refrigeration</b>	Finned tube fan assisted force air circulation system.
<b>Instrument.</b>	Analog thermometer with thermostat (Standard)
<b>Defrosting</b>	Time control off circle defrosting system.

# *Hamilcar Co., Ltd.*

## 3 DOORS UNDERCOUNTER CHILLER W/ SPLASH BACK

PROJECT		APPROVE
DESIGNED BY	DATE	DWG NO.
DRAWN BY	SCALE	QTY



### STANDARD FEATURES

- Body constructed with stainless steel SUS 304 (interior & exterior) finish HL.
- Insulation by using injected high-density polyurethane foam insulation to reduce heat transfer and greater refrigeration performance and power effectiveness.
- Stainless steel solid doors are equipped with special design heavy-duty self-closing hinge and full-length door handle for easy operation.
- Doors seal are installed with magnetic door gasket for positive door seal.
- 4 heavy-duty stainless adjustable legs to take account of uneven floor level.
- Doorframe is installed with anti sweat electric heater to prevent dew condensation.
- Heavy-duty shelf pilasters are adjustable. No tool requires to adjust.
- 6 heavy duty P.E. coated wire shelves
- **CE** approved components

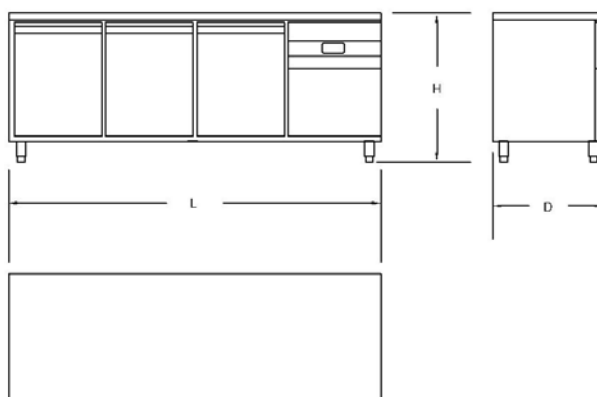
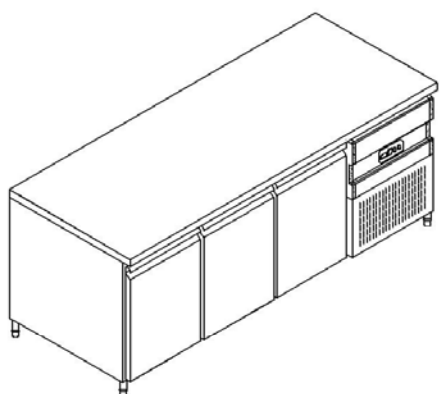
### GENERAL SPECIFICATION

<b>Model</b>	
<b>Dimension</b>	<b>215 x 60 x (85 + 15)</b>
<b>Capacity</b>	562 lit.
<b>No. of shelves</b>	6
<b>Working temp</b>	<b>+1°C</b>
<b>BTU/Hr</b>	2798
<b>Compressor</b>	330 W
<b>Refrigerant</b>	R22
<b>Power supply</b>	220V 50Hz 1Ph
<b>Amp.</b>	3.3 A
<b>Watt.</b>	660 W
<b>Refrigeration</b>	Finned tube fan assisted force air circulation system.
<b>Instrument.</b>	Analog thermometer with thermostat (Standard)
<b>Defrosting</b>	Time control off circle defrosting system.


# *Hamilcar Co., Ltd.*

## 3 DOORS UNDERCOUNTER CHILLER

PROJECT		APPROVE
DESIGNED BY	DATE	DWG NO.
DRAWN BY	SCALE	QTY



### STANDARD FEATURES

- Body constructed with stainless steel SUS 304 (interior & exterior) finish HL.
- Insulation by using injected high-density polyurethane foam insulation to reduce heat transfer and greater refrigeration performance and power effectiveness.
- Stainless steel solid doors are equipped with special design heavy-duty self-closing hinge and full-length door handle for easy operation.
- Doors seal are installed with magnetic door gasket for positive door seal.
- 4 heavy-duty stainless adjustable legs to take account of uneven floor level.
- Doorframe is installed with anti sweat electric heater to prevent dew condensation.
- Heavy-duty shelf pilasters are adjustable. No tool requires to adjust.
- 6 heavy duty P.E. coated wire shelves
-  approved components

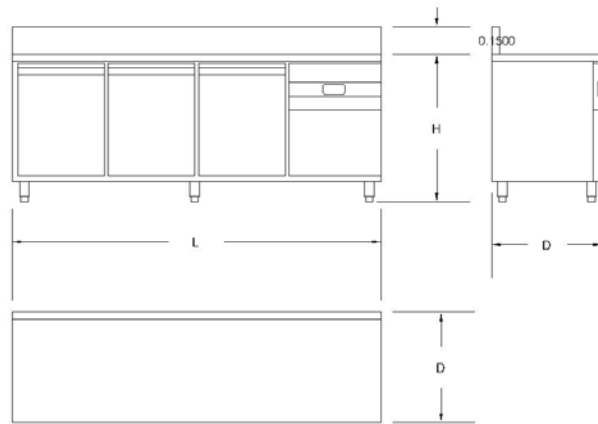
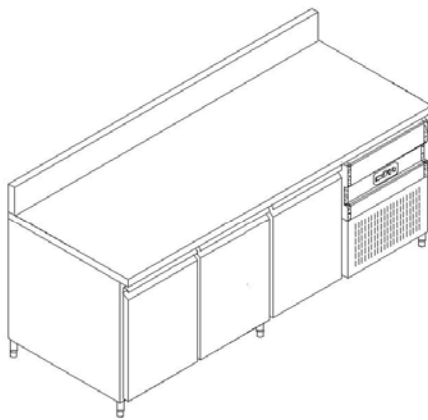
### GENERAL SPECIFICATION

<b>Model</b>	
<b>Dimension</b>	<b>180 x 75 x 85</b>
<b>Capacity</b>	552 lit.
<b>No. of shelves</b>	6
<b>Working temp</b>	<b>+1°C</b>
<b>BTU/Hr</b>	2798
<b>Compressor</b>	330 W
<b>Refrigerant</b>	R22
<b>Power supply</b>	220V 50Hz 1Ph
<b>Amp.</b>	3.3 A
<b>Watt.</b>	660 W
<b>Refrigeration</b>	Finned tube fan assisted force air circulation system.
<b>Instrument.</b>	Analog thermometer with thermostat (Standard)
<b>Defrosting</b>	Time control off cycle defrosting system.

# *Hamilcar Co., Ltd.*

## **3 doors undercounter chiller w/ splash back**

PROJECT		APPROVE
DESIGNED BY	DATE	DWG NO.
DRAWN BY	SCALE	QTY



### STANDARD FEATURES

- Body constructed with stainless steel SUS 304 (interior & exterior) finish HL.
- Insulation by using injected high-density polyurethane foam insulation to reduce heat transfer and greater refrigeration performance and power effectiveness.
- Stainless steel solid doors are equipped with special design heavy-duty self-closing hinge and full-length door handle for easy operation.
- Doors seal are installed with magnetic door gasket for positive door seal.
- 4 heavy-duty stainless adjustable legs to take account of uneven floor level.
- Doorframe is installed with anti sweat electric heater to prevent dew condensation.
- Heavy-duty shelf pilasters are adjustable. No tool requires to adjust.
- 4 heavy duty P.E. coated wire shelves
- **CE** approved components

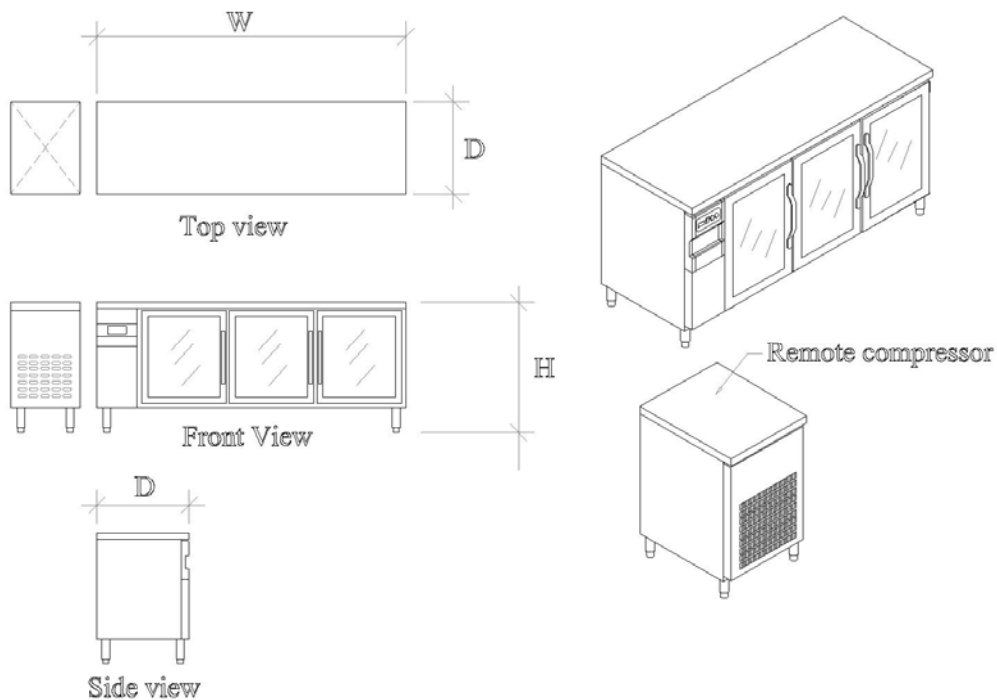
### GENERAL SPECIFICATIONS

<b>Model</b>	
<b>Dimension</b>	<b>215 x 60 x (85 + 15)</b>
<b>Capacity</b>	564 lit.
<b>No. of shelves</b>	6
<b>Working temp</b>	+1°C
<b>BTU/Hr</b>	2798
<b>Compressor</b>	330 W
<b>Refrigerant</b>	R22
<b>Power supply</b>	220V 50Hz 1Ph
<b>Amp.</b>	3.3 A
<b>Watt.</b>	660 W
<b>Refrigeration</b>	Finned tube fan assisted force air circulation system.
<b>Instrument.</b>	Analog thermometer with thermostat (Standard)
<b>Defrosting</b>	Time control off cycle defrosting system


# Hamilcar Co., Ltd.

## 3 Glass doors Under counter Refrigerator With Remote Compressor

PROJECT :		APPROVE
DESIGNED BY	DATE	DWG NO.
DRAWN BY	SCALE	QTY



### STANDARD FEATURE

- The cabinet is constructed with stainless steel SUS 304 , HL finish .
- Internal coved corner for ease of cleaning
- Stainless steel table top.
- Insulation by using injected **NON-CFC** high-density polyurethane foam insulation to reduce heat transfer and greater refrigeration performance and power effectiveness.
- Stainless steel solid doors are equipped with special design heavy-duty self-closing hinge and full-length door handle for easy operation. Doors seal are installed with magnetic door gasket for positive door seal.
- 4 heavy-duty stainless adjustable leg to take account of uneven floor level.
- Doorframe is installed with anti sweat electric heater to prevent dew condensation.
- Heavy-duty shelf pilasters are adjustable.
- Heavy duty P.E. coated wire shelves
- International quality approved (  approved.) components to ensure safety requirement.

### GENERAL SPECIFICATION

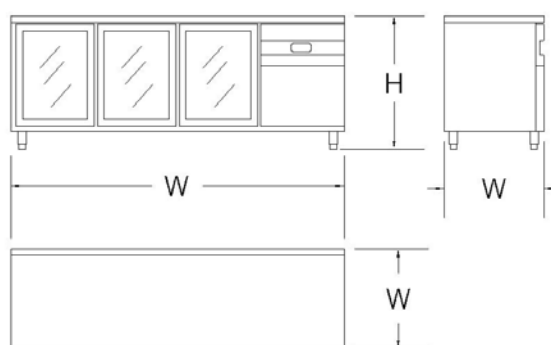
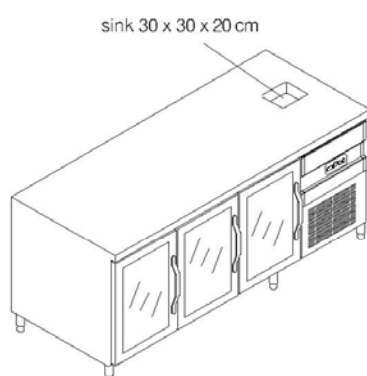
<b>Model</b>	URC1570/75/DC/GD
<b>Dimensions (cm)</b>	<b>157 x 75 x 85</b>
<b>Capacity</b>	35 lit.
<b>No. of shelves</b>	<b>6</b>
<b>Working temp</b>	<b>+ 1°C</b>
<b>BTU/Hr</b>	2798
<b>Compressor</b>	330 W
<b>Refrigerant</b>	HFC-134a
<b>Power supply</b>	220V 50Hz 1Ph
<b>Amp.</b>	3.3 A
<b>Watt.</b>	660 W
<b>Refrigeration</b>	Finned tube fan assisted force air circulation system.
<b>Instrument.</b>	Analog thermometer with thermostat (Standard)




# Hamilcar Co., Ltd.

## 3 Glass Doors Undercounter Chiller w/ Sink

PROJECT :		APPROVE
DESIGNED BY	DATE	DWG NO.
DRAWN BY	SCALE	QTY



### STANDARD FEATURE

- The cabinet is constructed with stainless steel SUS 304 HL finish for exterior and finished 2B for interior and galvanized steel sheet for non food contact area, outside top, bottom and back panel.
- Internal coved corner for ease of cleaning
- Stainless steel table top.
- Insulation by using injected **NON-CFC** high-density polyurethane foam insulation to reduce heat transfer and greater refrigeration performance and power effectiveness.
- **NON-CFC** refrigeration system.
- Stainless steel solid doors are equipped with special design heavy-duty self-closing hinge and full-length door handle for easy operation. Doors seal are installed with magnetic door gasket for positive door seal.
- There are 4 heavy-duty stainless adjustable leg to take account of uneven floor level.
- Doorframe is installed with anti sweat electric heater to prevent dew condensation.
- Heavy-duty shelf pilasters are adjustable. No tool requires to adjust.
- Heavy duty P.E. coated wire shelves
- International quality approved (  approved.)

### GENERAL SPECIFICATION

<b>Model</b>	
<b>Dimension</b>	<b>180 x 60 x 85</b>
<b>Capacity</b>	518 lit.
<b>No. of shelves</b>	6
<b>Working temp</b>	+1°C
<b>BTU/Hr</b>	2798
<b>Compressor</b>	330 W
<b>Refrigerant</b>	R22
<b>Power supply</b>	220V 50Hz 1Ph
<b>Amp.</b>	3.3 A
<b>Watt.</b>	660 W
<b>Refrigeration</b>	Finned tube fan assisted force air circulation system.
<b>Instrument.</b>	Analog themometer with themostate (Standard)
<b>Defrosting</b>	Timed control off circle defrosting system

# *Hamilcar Co., Ltd.*

## **4 DOORS UPRIGHT CHILLER**

<b>PROJECT</b>		<b>APPROVE</b>
<b>DESIGNED BY</b>	<b>DATE</b>	<b>DWG NO.</b>
<b>DRAWN BY</b>	<b>SCALE</b>	<b>QTY</b>

### **GENERAL SPECIFICATION**



Model	
Dimension	132 x 75 x 205
Capacity	1090 litres
Working temp	+ 1 °C
Extraction rate	4059 BTU/HR
Compressor	380 W
Refrigerant	R22
Power Supply	220V 50Hz 1Ph
Amp.	3.2 A
Watt.	704 W
Refrigeration system	Finned tube fan assisted force air circulation system.
Defrosting	Time control off circle defrosting system

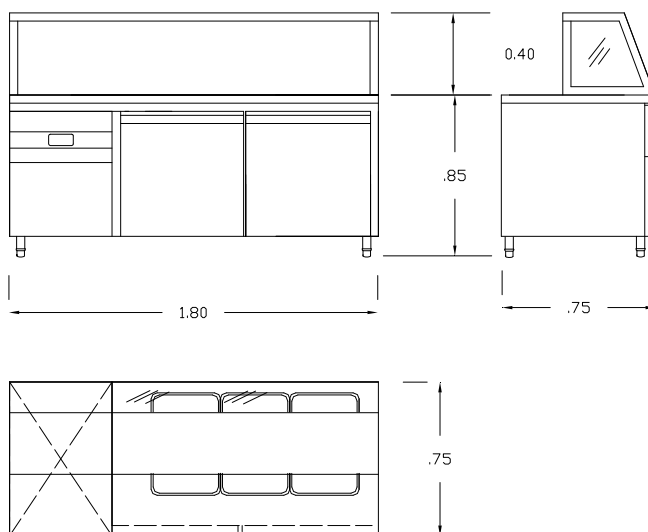
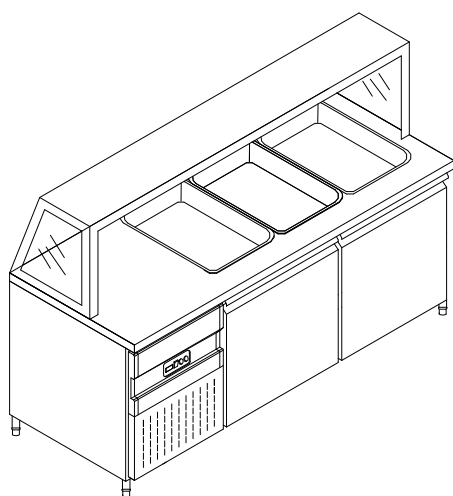
### **STANDARD FEATURES**

- Body constructed with stainless steel SUS 304 (interior & exterior) finish HL.
- Insulation by using injected high-density polyurethane foam insulation to reduce heat transfer and greater refrigeration performance and power effectiveness.
- Stainless steel solid doors are equipped with special design heavy-duty self-closing hinge and full-length door handle for easy operation.
- Doors seal are installed with magnetic door gasket for positive door seal.
- 4 heavy-duty stainless adjustable legs to take account of uneven floor level.
- Doorframe is installed with anti sweat electric heater to prevent dew condensation.
- Heavy-duty shelf pilasters are adjustable. No tool requires to adjust.
- 8 heavy duty P.E. coated wire shelves.

# Hamilcar Co., Ltd.

## COLD FOOD DISPLAY W/ 3 GN 1/1 & SNEEZE GUARD

PROJECT:		APPROVE:
Design by:	Date:	Dwg No:
Drawn by:	Scale:	Qty:



### STANDARD FEATURE

- The cabinet is constructed with stainless steel SUS 304 HL finish & finished 2B for interior
- Internal coved corner for ease of cleaning
- Insulation by using injected NON-CFC high-density polyurethane foam insulation to reduce heat transfer and greater refrigeration performance and power effectiveness.
- Stainless steel solid doors are equipped with special design heavy-duty self-closing hinge and full-length door handle for easy operation. Doors seal are installed with magnetic door gasket for positive door seal.
- Door frame is installed with anti sweat electric heater to prevent dew condensation.
- Heavy duty P.E. coated wire shelves
- International quality approved (CE approved.) components to ensure safety requirement.

### GENERAL SPECIFICATIONS

<b>Model</b>	
<b>Dimension</b>	<b>150 x 75 x (85 + 40) cm</b>
<b>Capacity</b>	548 lit.
<b>No. of GN 1/1</b>	3 Pcs.
<b>Working temp</b>	+ 2°C
<b>BTU/Hr</b>	2798
<b>Compressor</b>	330 W
<b>Refrigerant</b>	R22
<b>Power supply</b>	220V 50Hz 1Ph
<b>Amp.</b>	2.8A
<b>Watt.</b>	616W
<b>Refrigeration</b>	Finned tube fan assisted force air circulation system.
<b>Instrument.</b>	Analog themometer with themostate (Standard)
<b>Defrosting</b>	Timed control off circle defrosting system.

## *Pastry show case*

<b>PROJECT:</b>		<b>APPROVED</b>
<b>Design by</b>	<b>Date:</b>	<b>Dwg No.</b>
<b>Drawn by</b>	<b>Scale</b>	<b>QTY</b>



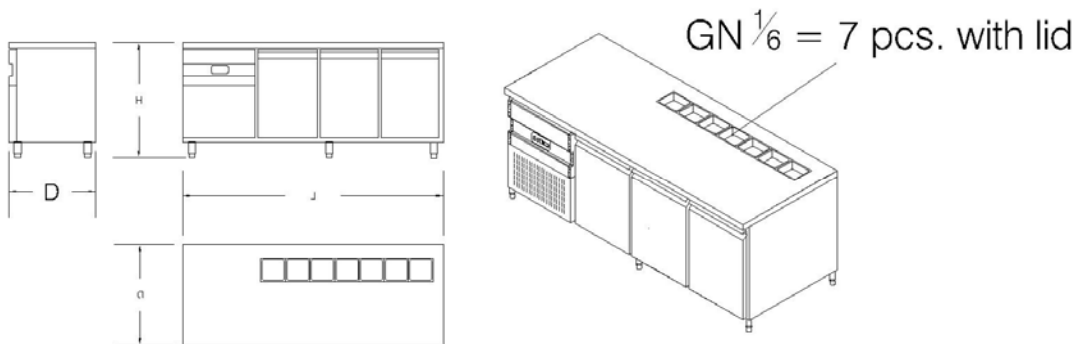
### *General specification*

- Outside size 120 x 79 x 132 c.m.
- In front curve sheet glass, thick 6 m.m.
- Wing mirror light brown, thick 13 m.m.
- Cabinet base decorate by Formica
- Back door panel (sliding) Aluminum edge.
- Sheet glass inside can adjust level with neon lamp gutter below 1 unite
- Temperature working between +8 to +15
- Coldness system, none ice sticks through Coil make the cold and wind
- System blow off the heat and compressor set up below the cabinet ,blow off the heat well
- Electricity insulator 220V 50Hz 1 Ph


# Hamilcar Co., Ltd.

## Sandwich Unit

PROJECT		APPROVE
DESIGNED BY	DATE	DWG NO.
DRAWN BY	SCALE	QTY



### STANDARD FEATURES

- Body constructed with stainless steel SUS 304 (interior & exterior) finish HL.
- Insulation by using injected high-density polyurethane foam insulation to reduce heat transfer and greater refrigeration performance and power effectiveness.
- Stainless steel solid doors are equipped with special design heavy-duty self-closing hinge and full-length door handle for easy operation.
- Doors seal are installed with magnetic door gasket for positive door seal.
- 4 heavy-duty stainless adjustable legs to take account of uneven floor level.
- Doorframe is installed with anti sweat electric heater to prevent dew condensation.
- Heavy-duty shelf pilasters are adjustable. No tool requires to adjust.
- 6 heavy duty P.E. coated wire shelves
-  approved components

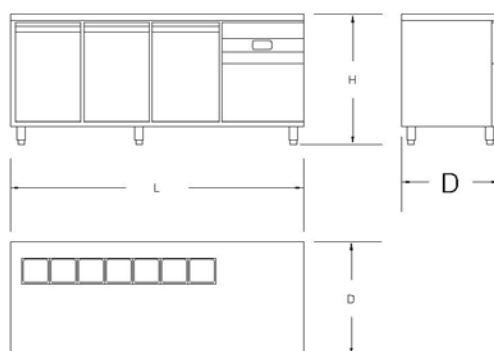
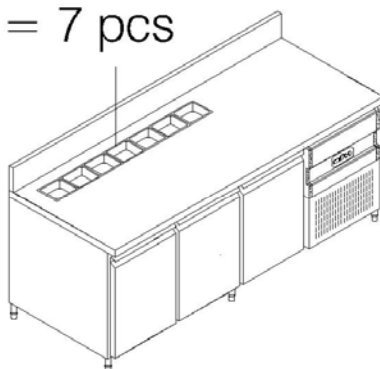
### GENERAL SPECIFICATION

<b>Model</b>	
<b>Dimension</b>	<b>180 x 75 x 85</b>
<b>Capacity</b>	552 lit.
<b>No. of shelves</b>	6
<b>Working temp</b>	+1°C
<b>BTU/Hr</b>	2798
<b>Compressor</b>	330 W
<b>Refrigerant</b>	R22
<b>Power supply</b>	220V 50Hz 1Ph
<b>Amp.</b>	3.3 A
<b>Watt.</b>	660 W
<b>Refrigeration</b>	Finned tube fan assisted force air circulation system.
<b>Instrument.</b>	Analog thermometer with thermostate (Standard)
<b>Defrosting</b>	Time control off circle defrosting system

## **Sandwich Unit w/ splash back**

PROJECT		APPROVE
DESIGNED BY	DATE	DWG NO.
DRAWN BY	SCALE	QTY

GN  $\frac{1}{6}$  = 7 pcs



### STANDARD FEATURES

- Body constructed with stainless steel SUS 304 (interior & exterior) finish HL.
- Insulation by using injected high-density polyurethane foam insulation to reduce heat transfer and greater refrigeration performance and power effectiveness.
- Stainless steel solid doors are equipped with special design heavy-duty self-closing hinge and full-length door handle for easy operation.
- Doors seal are installed with magnetic door gasket for positive door seal.
- 4 heavy-duty stainless adjustable legs to take account of uneven floor level.
- Doorframe is installed with anti sweat electric heater to prevent dew condensation.
- Heavy-duty shelf pilasters are adjustable. No tool requires to adjust.
- 6 heavy duty P.E. coated wire shelves
- **CE** approved components

### GENERAL SPECIFICATION

<b>Model</b>	
<b>Dimension</b>	<b>180 x 75 x (85 + 15)</b>
<b>Capacity</b>	552 lit.
<b>No. of shelves</b>	6
<b>Working temp</b>	+1°C
<b>BTU/Hr</b>	2798
<b>Compressor</b>	330 W
<b>Refrigerant</b>	R22
<b>Power supply</b>	220V 50Hz 1Ph
<b>Amp.</b>	3.3 A
<b>Watt.</b>	660 W
<b>Refrigeration</b>	Finned tube fan assisted force air circulation system.
<b>Instrument.</b>	Analog thermometer with thermostat (Standard)
<b>Defrosting</b>	Time control off circle defrosting system